



MASSEY FERGUSON



**ISEKI**  
ISEKI & CO., LTD.

# *MF1540/1552 Tractor Presentation*

ISEKI & CO., LTD.  
Overseas Business Division

December, 2016



**MASSEY FERGUSON**



**ISEKI**  
ISEKI & CO., LTD.



***MF1540, MF1552***



**MASSEY FERGUSON**



**ISEKI**  
ISEKI & CO., LTD.



**MF1540, MF1552**



MASSEY FERGUSON



**ISEKI**  
ISEKI & CO., LTD.

# Concept



*Reliable*

*Easy*

*Comfort*





MASSEY FERGUSON



ISEKI  
ISEKI & CO., LTD.

# Reliable

## Possible to work continuously



-Dual Element Air cleaner always deliver clean air to the engine, MF1500 series can work all day continuously even if under hard conditions.

-Water sealed Front Axle is standard feature for working in the Rice Paddy Field.

-Cauterized Breezier pipe help to circulate the air to keep the oil temp in the front Axle.



Air cleaner



Water sealed F. Axle.



Cauterized Breezier





MASSEY FERGUSON



ISEKI  
ISEKI & CO., LTD.

# Reliable

## Possible to work continuously



-MF1500 series have an iron casted chassis.

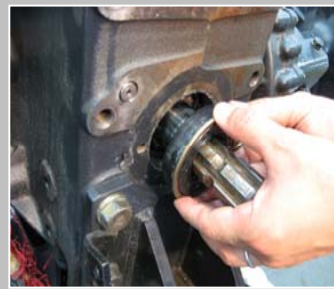
This solid and rigid chassis provides tough works on all terrain conditions.

- ISEKI designed **PTO Seal System** protect dirt and water comes in to the rear transmission case.

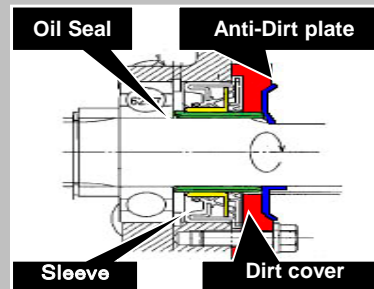
With this PTO sealing, the operators can work in wet field effectively.



Rigid Chassis



ISEKI PTO Seal System







MASSEY FERGUSON



ISEKI  
ISEKI & CO., LTD.

## Comfort

## Comfortable space provides stress less work



- Automobile type **dashboard** gives a clear view of all important information.

- **Floating Floor** is mounted on the insulator minimizing the vibration/noise.

- **Handrail** provided on Rear Fender (LH/RH) and help the operators to pop on the cockpit.



Dash Board



Floating Mount Floor



Handrail





MASSEY FERGUSON



ISEKI  
ISEKI & CO., LTD.

## Comfort

### Comfortable space provides stress less work



-Wide **flat floor** provides the enough space and easy access for the operators.

- **Ergonomics design** Operator space provides comfort for the operators.

With seat side levers, the operators can work smoothly and effectively.



Flat Floor



Ergonomics design



Easy Access







MASSEY FERGUSON



ISEKI  
ISEKI & CO., LTD.

Easy

## Easy to maintain for the long life



- MF1500 series has **full open engine hood**.

The engine hood can be opened up by just one hand & can be easily accessed to the engine room for daily maintenance.

- Removable type **radiator screen** is standard. Easy to remove the screen from the radiator for maintenance.

- Easy access to **Air cleaner**.



Full Open Engine Hood



Radiator Screen



Air Cleaner





**MASSEY FERGUSON**



**ISEKI**  
ISEKI & CO., LTD.

## Features



**MF1540, MF1552**



**MASSEY FERGUSON**



**ISEKI**  
ISEKI & CO., LTD.

# Features

## Powerful Engine

- High Power Engine
- High Durability  
(Water/Dirt Protection)



## High graded Spec.

- Big Fuel tank
- 1 spool Auxiliary Hydraulic Valve
- High lift capacity Rear Link System
- Synchronized shuttle Transmission

## Comfort and Easy Operation

- Low vibration
- Full flat floor
- Levers are layout at side position

## Safety

Standard Safety Rops  
Clutch safety switch

**MF1540, MF1552**





MASSEY FERGUSON



ISEKI  
ISEKI & CO., LTD.

# Features

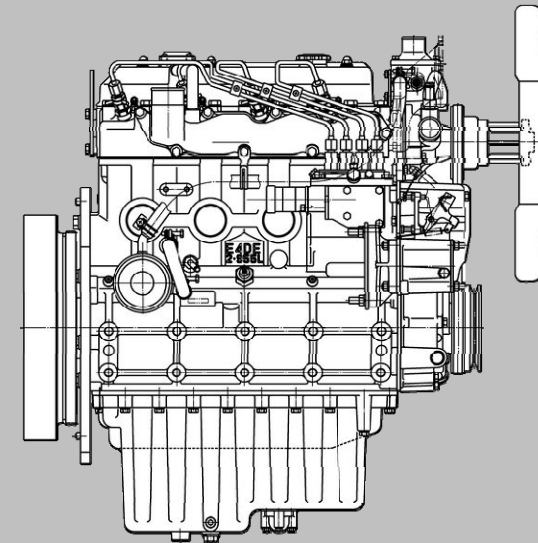
## Powerful Engine & Bigger Fuel Tank



Powerful Engine helps the operator to make effective and stress less works.

	AGCO MF1552F	KUBOTA L4708	YANMAR EF494T	mitsubishi GX5000
Model	E4DE	V2203MDI	4TNV88	S4Q2
No. of Cylinders	4	4	4	4
Displacement (L)	2.955	2.197	2.189	2.505
Out put(Gross) (HP)	52	47	49	50
Rated RPM (min <sup>-1</sup> )	2500	2700	2800	2800
Fuel Tank Capacity (L)	50	48	40	40

	AGCO MF1540F	KUBOTA L3608	YANMAR EF393T
Model	E3CDT	D1703M-DI	TNV
No. of Cylinders	3	3	3
Displacement (L)	1.498	1.647	1.642
Out put(Gross) (HP)	39	36	39
Rated RPM (min <sup>-1</sup> )	2600	2700	2800
Fuel Tank Capacity (L)	40	38	38



High power

Low noise

\*Competitive models are as of 2011 in Thailand

**MF1540, MF1552**



MASSEY FERGUSON



ISEKI  
ISEKI & CO., LTD.

# Features

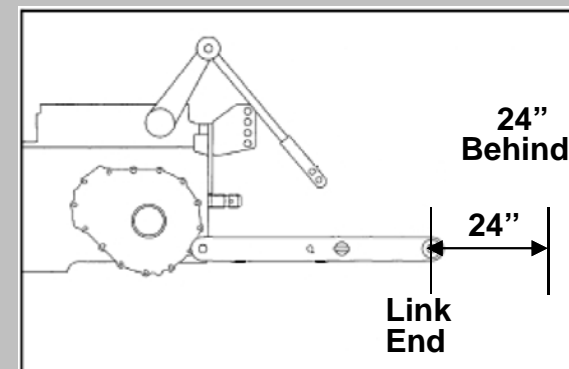


## Bigger Lift Capacity

**Bigger lift capacity can accept various kinds implements and application.**

	AGCO	KUBOTA	YANMAR	MITSU BISHI
	MF1552F	L4708	EF494T	GX5000
Link End(kgf)	1,580	1,300	1,350	1,900
24in Behind(kgf)	1,400	1,053	1,120	

	AGCO	KUBOTA	YANMAR
	MF1540F	L3608	EF393T
Link End(kgf)	1,270	906	1,000
24in Behind(kgf)	1,150	651	



\*Competitive models are as of 2011 in Thailand

**MF1540, MF1552**



MASSEY FERGUSON



ISEKI  
ISEKI & CO., LTD.

# Features

## Auxiliary Hydraulic Valve

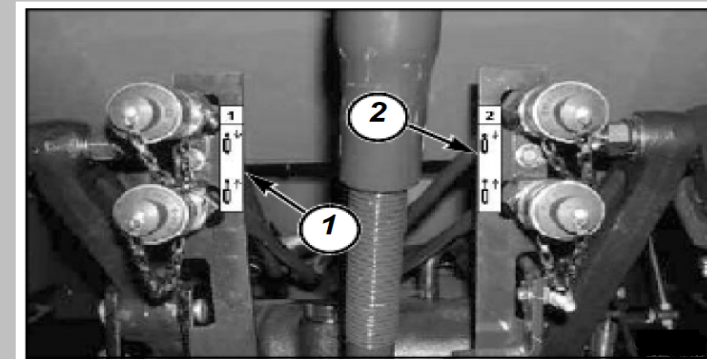
1st Spool Valve, ①, is standard feature

2nd Spool Valves, ②, is prepared as an Optional Parts, and can be fitted on the side of 1<sup>st</sup> Spool Vales, if the user requires.

### Parts Code (2nd Spool Valve)

MF1552 : 6252811M91

MF1540 : 6252963M91



**MF1540, MF1552**





MASSEY FERGUSON



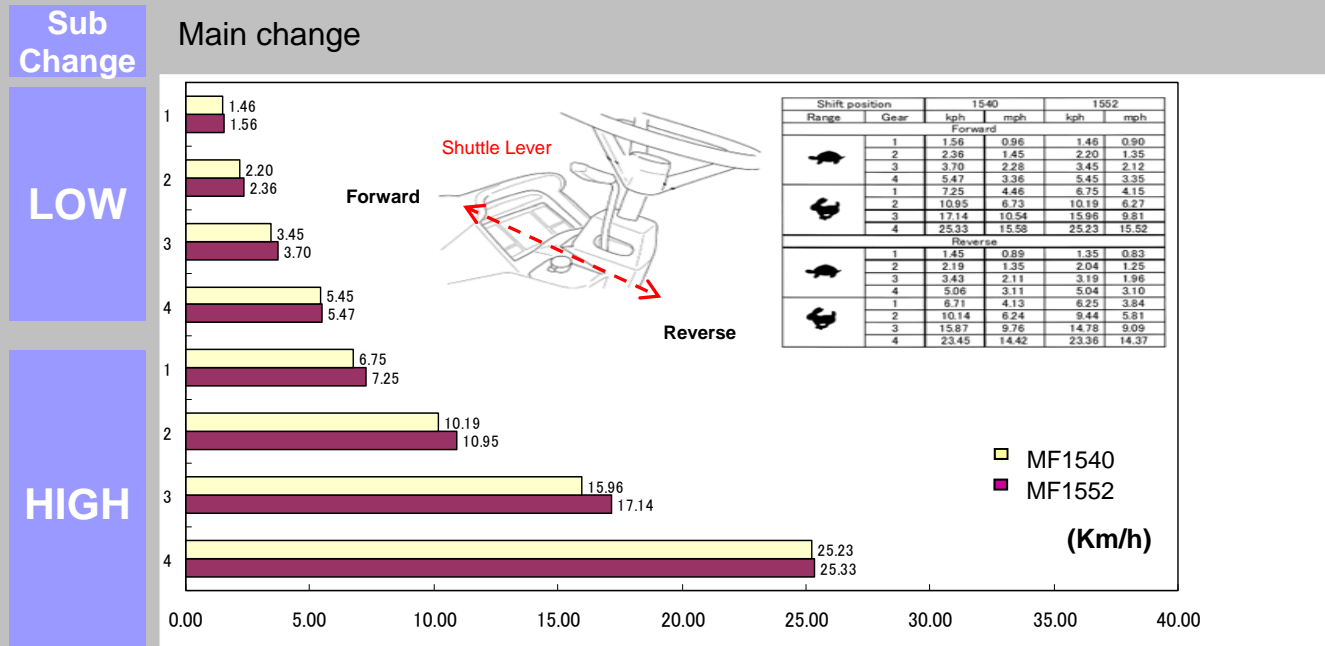
ISEKI  
ISEKI & CO., LTD.

# Features

## Synchronized Shuttle Transmission



**MF1500 series has “synchronized shuttle transmission” as standard feature. The operator can select driving direction by changing the shuttle lever.**



**MF1540, MF1552**



MASSEY FERGUSON



ISEKI  
ISEKI & CO., LTD.

# Features

## Floating and Flat Floor



**MF1500 series have full floating floor. It contribute less noise and vibration.**

**With combination of the flat floor and ergonomic design cockpit, the operator can work effectively and comfortably.**



**MF1540, MF1552**



MASSEY FERGUSON



**ISEKI**  
ISEKI & CO., LTD.

## Option Parts

### For MF1540

Aux. Valve 2 <sup>nd</sup> Bank	6252963M91
Draft Control Set	6241606M94
Front Bumper	6241534M1
Drawbar (Fix)	6258951M91

### For MF1552

Aux. Valve 2 <sup>nd</sup> Bank	6252811M91
Draft Control Set	6242842M94
Front Bumper	6241534M1
Drawbar (Fix)	6258964M91



**MF1540, MF1552**





MASSEY FERGUSON



ISEKI  
ISEKI & CO., LTD.

## Specification

		Spec comparison (Model for Asia & USA)			
		For ASIA		For USA	
		MF1540E1	MF1552E1	MF1540E3	MF1552E3
Dimensions	L x W x H (mm)	3070x1455x2190	3435x1600x2280	3070x1565x2220	3370x1680x2305
	Wheel base (mm)	1770	1930	1770	1930
	Tread (mm)	1150 / 1100	1360 / 1240-1560	1130 / 1190-1495	1340 / 1300-1448
	Min. height from ground (mm)	325	350	360	375
	Weight (actual measurement) (kg)	1390	1655	1390	1655
Model		ISEKI E3CD-TB	ISEKI E4DE-B01	ISEKI E3CD-TB	ISEKI E4DE-B01
Emission Regulation Comply		Tier2		Interim Tier4	
No. of cylinders / Displacement (L)		3 / 1.498	4 / 2.955	3 / 1.498	4 / 2.955
Rated Output (Gross / Net (PS) / @min-1)		38.5 / 37.4HP @2600	52.2 / 49.3HP @2500	38.5 / 37.4HP @2600	52.2 / 49.3HP @2500
Fuel control system		IDI	IDI	IDI	IDI
Fuel tank capacity (L)		40	50	40	50
T- mission	Main clutch	Single dry clutch		Single dry clutch	
	Gear shift	Synchro (Column)		Synchro (Column)	
	No. of speed (Main/Sub)	F8/R8 (4x2)		F8/R8 (4x2)	
	Lever position	Side / Side		Side / Side	
Clutch type				Independent PTO	
PTO No. of Speed (Rotated speed) (min-1)		2 (580/820)	2 (556/790)	1 (540)	1 (540)
PTO lever position		Side		Side	
R-Axle	Diff lock	Pedal(RH)		Pedal(RH)	
	Braking system	Wet disc		Wet disc	
	Pedal	2pedals (RH)		2pedals (RH)	
	Parking (Type)	STD(Hook type)		STD(Hook type)	
Max. Traveling speed	Forward (km/h)	1.56-25.3(27.2)	1.51-24.3(26.7)	0.39-26.76 (29.4)	0.34-25.39 (27.9)
	Reverse (km/h)	1.45-23.4	1.39-22.5	0.36-24.77	0.32-23.51
Tire	Agri-Tire	8-16	8-18	8-16 (local)	9.5-16 (local)
	Front wheel	12.4-24	13.6-26	13.6-24 (local)	13.6-28 (local)
	Rear wheel				
Driving system		4WD/2WD		4WD/2WD	
F. Axle Power assisted steering system		Integral	Hydrostatic w/ cylinder cover	Hydrostatic	Hydrostatic
Min. turning radius (with brake)		2.5	2.8	2.5	2.8
3P lifting capacity at Ball end (at 24 inch) (kgf)		1,270 (1,150)	1,580 (1,400)	1,270 (1,150)	1,580 (1,400)
Rated pump capacity (Main+Steering) (L/min)		52.9 (34.4+18.5)	67.6 (47.5+20.1)	52.9 (34.4+18.5)	67.6 (47.5+20.1)
Position control		STD		STD	
Draft control		Opt		Opt	
Auxiliary hydraulic valve/Standard(Max)		STD x 1 (Max2)		OPT (Max2)	
3P linkage Category / Lower link end		Cat.1 / Ball end		Cat.1 / Ball end Cat.1 / Telescopic ball end	
Rear hitch		Opt (Fix drawbar)		Opt (Fix drawbar)	
Floor type / Mount		Full flat / Floor mount		Full flat / Floor mount	
Under seat cover		Full cover (Base+Back panel)		Full cover (Base+Back panel)	
Floor mat		STD		STD	
Seat		Opt (Local source)		STD	
Caution label		Symbol		Symbol	
Rops		STD / Foldable (with type approval)		STD / Foldable (with type approval)	
Other differences	1) PTO seal (mud guard)	For paddy field (Double layered seal: High waterproof performance, negative in high rotation)		For dry field (Not double layered seal)	
	2) Power steering with mud guard	Integral	Hydrostatic w/ cylinder cover	Hydrostatic	
	3) PTO (2 speeds)	2 speeds in PTO		1 speed in PTO	
	4) Front axle with breezer	Treated		Not treated	
	Battery capacity (CCA)	582A	630A	630A	710A
Fuel tank cap	Large cap with filter		Large cap without filter		
Pedal force on clutch		Heavier		Normal	





**MASSEY FERGUSON**



**ISEKI**  
ISEKI & CO., LTD.



**MF1540, MF1552**